



# HOURGLASS I PLUS

## 60" x 42" Skirted Acrylic Air Bath

Model Number

**4260HPASR064**

Right Hand Drain Air Bath in White

**4260HPASL064**

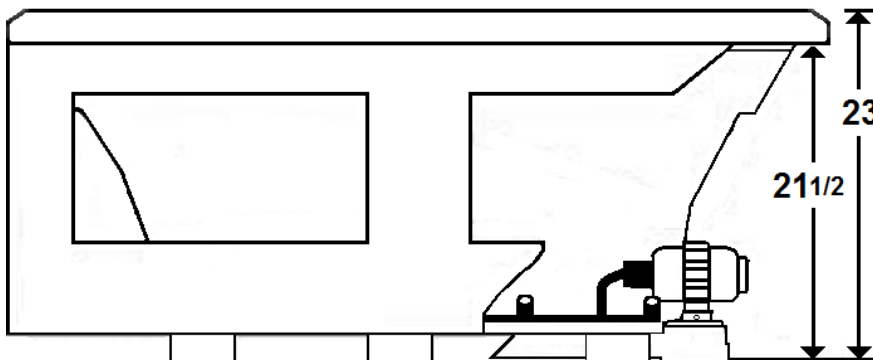
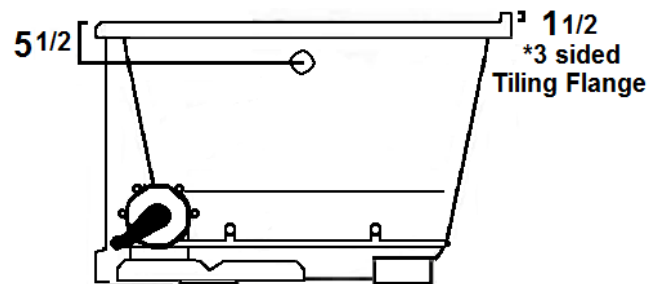
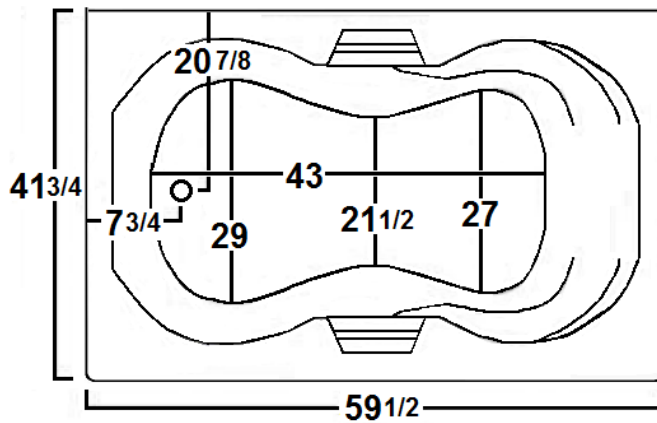
Left Hand Drain Air Bath in White

### Features

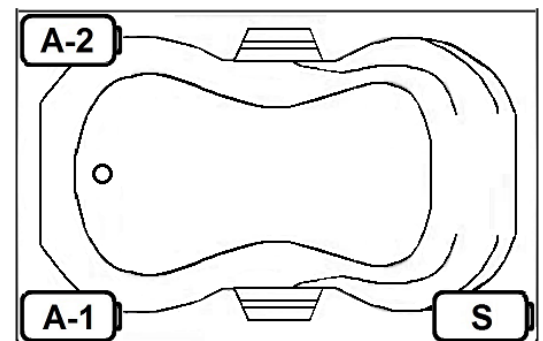
- 24 high output lateral air jets
- Color-matched jet trim
- 12.0 Amp variable speed blower
- Pillow included
- Constructed of high-gloss durable acrylic
- Automatic purge cycle with timer
- Heaters available – LM305
- Mood light available – LM522
- Pre-leveled base for easy installation
- Made in the USA



**\*All dimensions are +/- 1/2" and subject to change without notice\*  
Confirm specifications before installation**



Standard (S) Pump Location and Alternate (A-1 & A-2) Pump locations.



### Technical Information

- Weight: 170 lbs.
- Water Depth to Overflow: 17 1/2"
- Water Operating Level: NA
- Water Capacity: 89 gal.
- Sump Dimension: 43" x 27"

### Electrical Requirements.

- Standard Blower: 12 Amps
- (Optional) LM305 Heater: 12.5 Amps (120V)
- Dedicated GFCI's required for each options

# HOURGLASS I PLUS

**4260HPASR064**  
Right Hand Drain Air Bath in White  
**4260HPASL064**  
Left Hand Drain Air Bath in White

## Air Bath

Thousands of warm air bubbles provide an invigorating and yet relaxing, light, full body massage. The warm air movement increases blood circulation, soothes muscles and produces a feeling of well-being.

Laurel Mountain enables you to enhance your bathing experience by offering a broad range of options to customize your bath. The options available on this bath are shown below.

## AVAILABLE OPTIONS & UPGRADES

For Pricing, visit the “Help” page at [www.laurelmountainwhirlpools.com](http://www.laurelmountainwhirlpools.com). Download the Price book. For pictures and descriptions of options, go to [www.laurelmountainwhirlpools.com](http://www.laurelmountainwhirlpools.com) and click “options” tab found at the bottom of the website.

### Therapeutic

**LM305 12.5 Amp Water Heater (120V)**

**LM522 Chromatherapy Mood Light**

### Accessories

#### **8” GRAB BARS**

LM230 White  
LM231 Biscuit

#### **CABLE OPERATED DRAINS**

LM200 Chrome	LM210 White
LM201 Brushed Nickel	LM211 Biscuit
LM202 Bronze	

### Design / Construction

**LM545 A-1 Pump Location**

**LM546 A-2 Pump Location**

## INSTALLATION

Install this unit according to the Owner’s Manual. The Owner’s manual can be found by visiting the “Help” page at [www.laurelmountainwhirlpools.com](http://www.laurelmountainwhirlpools.com). Select “Installation” on the right side of the page. Then click on the “Colony Owner’s Manual”.